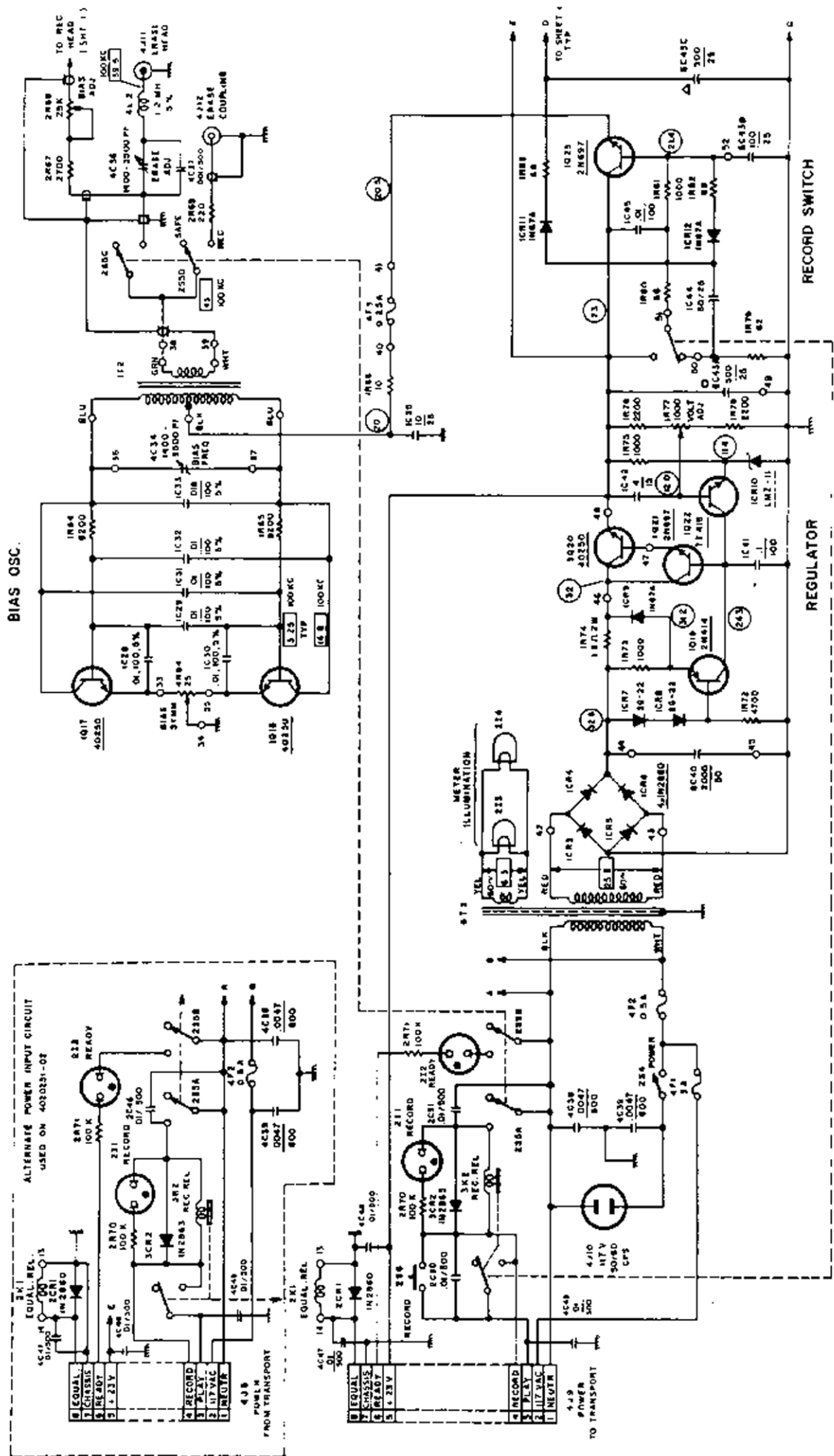


FOR NOTES SEE SHEET 3

Fig. 7-3 Schematic Diagram, Record/Reproduce Electronics, Sheet 1 of 3



FROM TRANSPORT

TO TRANSPORT

Fig. 7-4 Schematic Diagram, Record/Reproduce Electronics, Sheet 2 of 3

1. ALL RESISTORS IN OHMS, 1/2 W, 10%, UNLESS OTHERWISE SPECIFIED.
 2. ALL CAPACITORS IN MFD, UNLESS OTHERWISE SPECIFIED.
 3. COMPONENT LOCATION IS INDICATED BY FIRST DIGIT OF SCHEMATIC REFERENCE NUMBER:
- 1 - PRINTED CIRCUIT BOARD
 - 2 - FRONT PANEL
 - 3 - LEFT PANEL (WHEN FACING FRONT)
 - 4 - BACK PANEL
 - 5 - RIGHT PANEL
 - 6 - POWER SUPPLY
 - 7 - INDICATES TERMINAL ON P.C. BOARD
 - 8 - INDICATES DC VOLTAGE TO GROUND, MEASURED WITH A 20,000 Ω/V METER
 - 9 - INDICATES SIGNAL VOLTAGE TO GROUND ON OTHER LINE AS MEASURED WITH A 500 CPS WITH 7.5 I.R.S. N.A.B. EQUALIZER IN USE.
 - 10 - INDICATES SIGNAL VOLTAGE TO GROUND ON OTHER LINE AS MEASURED WITH A 10 MD. INPUT VTVM.
 - 11 - INDICATES SIGNAL VOLTAGE TO GROUND ON OTHER LINE AS MEASURED WITH A 5000 Ω/V METER.

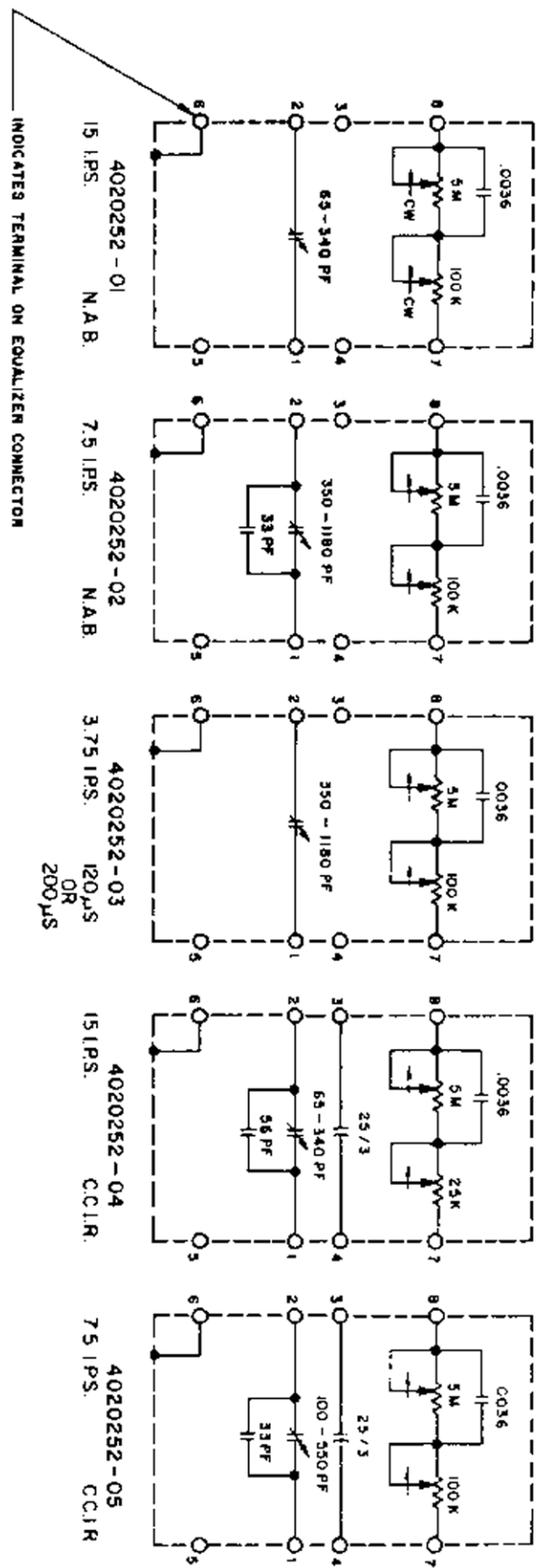


Fig. 7-5 Schematic Diagram, Record/Reproduce Electronics, Sheet 3 of 3