



# INSTRUCTIONS

## Type 77-DX Polydirectional Microphone

MI-4045-F AND MI-11006-C

### TECHNICAL DATA

#### Output Impedance

250 ohms may be changed to 30 or 150 ohms

#### Load Impedance

Unloaded input transformer

#### Effective Output Level

(all output connections)

Bi-directional (B) -50 dbm\* Gm = -144 db

Uni-directional (U) -53 dbm\* Gm = -147 db

Non-directional (N) -56 dbm\* Gm = -150 db

L-1, L-2, L-3, between -50 and -53 dbm

(Gm = RTMA rating)

#### Hum Pick-up Level\*\*

-128 dbm

#### Dimensions and Weight

Length: 11½ inches

Width: 3¾ inches

Depth: 2½ inches

Weight: Total - 4½ pounds

Less cable - 3 pounds

#### Cable

MI-43-D, 3 conductor, shielded, 30 feet long, no plug

#### Finish

TV Gray and Satin Chrome (MI-4045-F)

TV Gray (MI-11006-C)

#### Stand Fitting

½ inch pipe thread



Figure 1—Type 77-DX Microphone  
MI-4045-F

fore completely finished in a low-gloss umber-gray enamel which eliminates glaring reflections usually seen on highly polished microphones.

Instead of being open on both sides as in the conventional velocity microphone, the ribbon element in this microphone is coupled to an acoustic labyrinth which forms the body portion of the microphone. The tube connecting the back of the ribbon to the labyrinth is slotted directly behind the ribbon and fitted with an adjustable shutter to secure various areas of opening. When the opening is completely closed, the microphone operates as a non-directional pressure microphone; at the wide-open position the microphone becomes bi-directional. With the proper

\* Sound Pressure = 10 dynes/cm<sup>2</sup>.

\*\* Referred to a hum field of  $1 \times 10^{-3}$  gauss.

### DESCRIPTION

The RCA Type 77-DX Polydirectional Microphones MI-4045-F and MI-11006-C are high-fidelity microphones of the ribbon type which may easily be adjusted to obtain a variety of directional patterns. Since the MI-4045-F microphone is primarily intended for broadcast use, it is finished in satin chrome and a low-gloss umber-gray enamel. The MI-11006-C microphone is intended for television use and is there-

size opening the pattern becomes a cardioid by virtue of the phase shift which occurs. Openings smaller or larger than this critical size produce directional patterns with various sized rear lobes.

Different amounts of low-frequency attenuation are obtained by a reactor shunting the output.

### Application

The microphones are intended primarily for indoor use and if used outdoors may require some additional protection against the wind.

The choice of directional patterns makes possible a considerable degree of control of the ratio of direct sound to reverberant sound as well as the possible reduction of unwanted sound such as audience noise in a studio. The wide angle of pick-up provided by the cardioid pattern is useful in covering large groups with a single microphone. For "close-talking" applications the non-directional characteristic is of considerable value since the low-frequency response is not accentuated as in the case of a velocity microphone. Numerous other applications of the various directional patterns as well as the different response curves will no doubt suggest themselves to the user.

## OPERATION

### Mounting

The microphone will mount on any stand having a 1/2-inch pipe thread. Other stands will require a suitable adaptor. The microphone is cushion-mounted, and a fork mounting is provided so that the microphone may be fitted to the desired position.

### Connections

As shipped the microphone is connected for an output impedance of 250 ohms. To connect the microphone for an output impedance of 30 or 150 ohms, first lower the bottom cover by removing the four machine screws around the rim of the cover. Pull the cover down until the transformer terminal board connections are accessible. For the proper cable connections, refer to figure 2.

### Directional Characteristics

The adjustable shutter over the slot in the tube leading to the acoustic labyrinth may be rotated by means of a screwdriver adjustment extending through the rear screen flush with a designation plate.

The plate is marked U, N and B, as symbols for the uni-directional, non-directional and bi-directional patterns. Three additional markings L-1, L-2, and L-3 are used as reference points for other directional patterns which may be obtained. Refer to figure 3

for the patterns associated with each of the six symbols. Stops are provided on the continuously-variable pattern selector at the six marked positions, although the shutter may be set at any intermediate position.

### Frequency Response

At the bottom of the lower shell is a screwdriver-operated selector marked M (music)  $V_1$  and  $V_2$  (voice). The voice positions connect a reactor across the entire secondary or part of the secondary of the output transformer, depending on the switch position (see diagram, figure 2). Refer to figure 4 for the frequency-response characteristics of each setting. As can be seen from the curves, the reactor attenuates the low-frequency response. This is especially desirable when the microphone is less than three feet from the source of sound and the low-frequency response would otherwise be exaggerated.

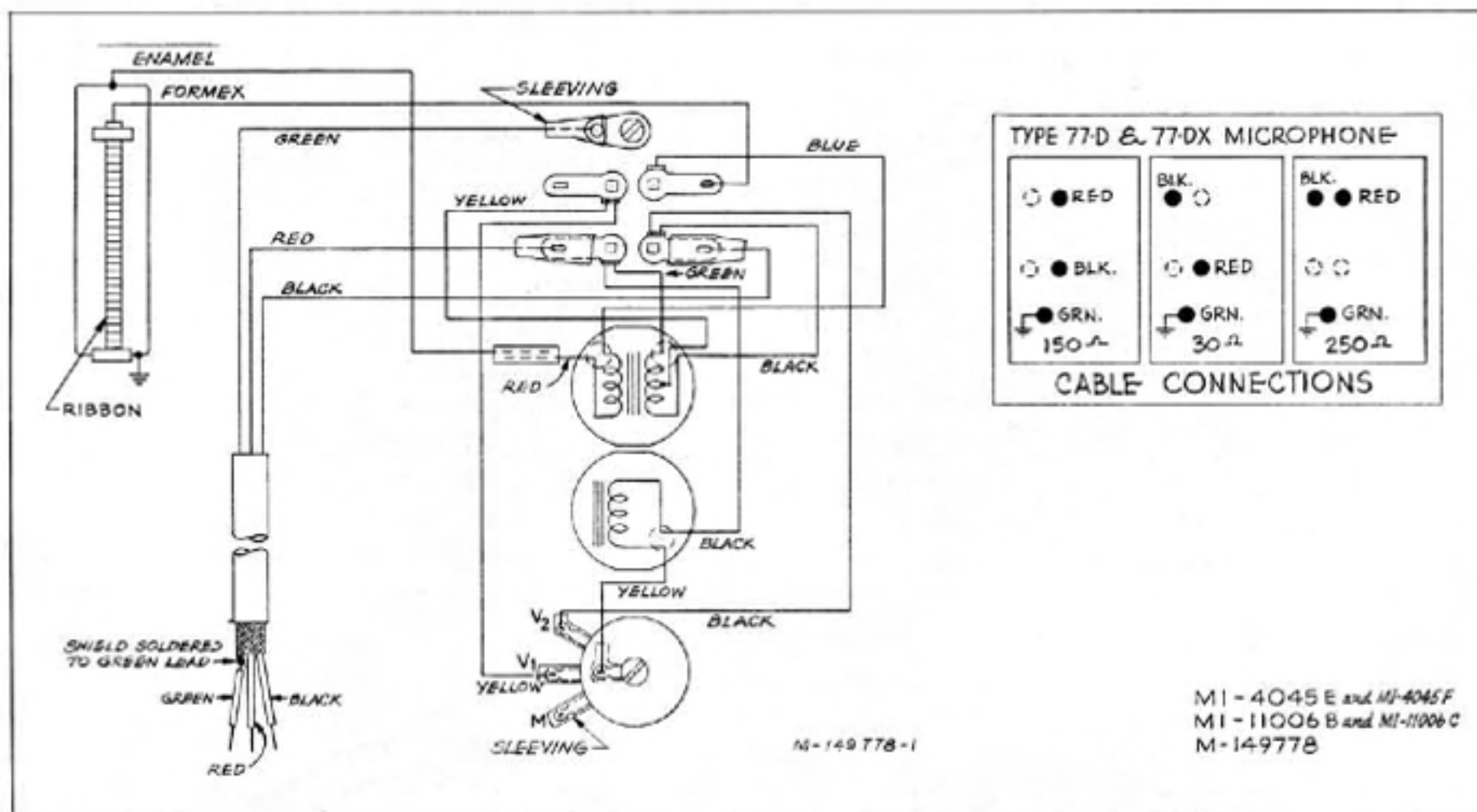
### Phasing

The Type 77-DX Microphone is phased so that the red cable lead is electrically positive when the sound pressure on the front of the microphone is in the positive half of the cycle.

When the outputs of two or more microphones are connected into a mixing circuit, it is necessary that the outputs of all such microphones have the same phase relation. Otherwise, the output of one microphone will oppose the output of another, resulting in a reduction in output, and introducing varying degrees of distortion.

To check the phasing of two or more microphones, connect one microphone to the associated amplifier input and set the volume control to obtain the desired output, while talking into the microphone. Then, connect the second microphone in parallel with the first and, without changing the volume control setting, hold both microphones close together and talk into them. If the volume decreases from the previous level, reverse the connections of one of the microphone cables at the microphone plug. Check each additional microphone for phasing in this manner, and, if necessary, reverse the cable connections to correct the phasing to agree with that of the microphone already connected.

When the sound source is directed toward the back of the microphone, there will be a large phase shift when changing the pattern selector from bi-directional to non-directional or the reverse. The safest way to avoid undesirable directional effects resulting from the above is to set microphones operating close to one another on the same directional response position, or at least avoid having some on the non-directional pattern and the others on the bi-directional pattern.



**Figure 2—Schematic and Connection Diagram**

### Directional Setting

The proper position of the pattern selector depends upon the particular installation. The same holds true for the placement of the microphone. Consult figure 3 for the directional patterns of the six reference positions.

### Frequency Response Settings

For sound sources greater than three feet from the microphone the frequency response selector can be used in the M position for any of the directional response patterns. If the non-directional characteristic is used, no low-frequency attenuation should be required even for very small distances. If the bi-directional or uni-directional patterns are used, low-frequency attenuation will be required when the sound source is less than 3 feet from the microphone, unless special effects are desired. It is suggested that the  $V_1$  position be used for distances down to 1 foot and the  $V_2$  position for still shorter distances. Refer to figure 4 for frequency-response curves of the M,  $V_1$ , and  $V_2$  settings.

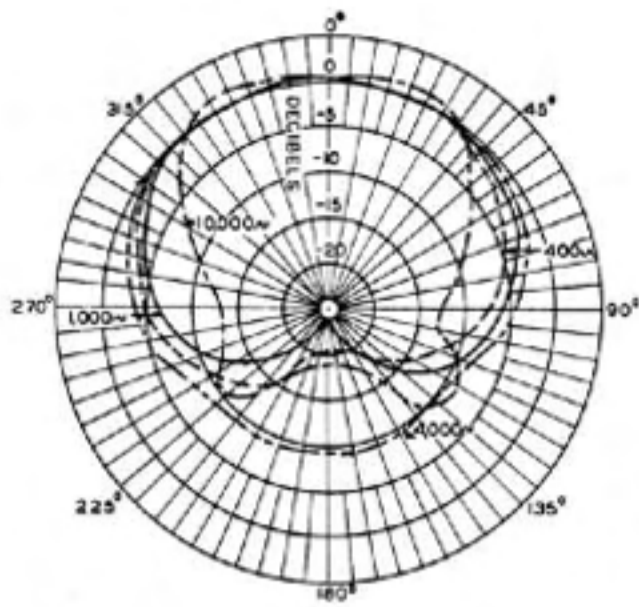
### Hum

Hum may originate in any part of the audio system. In the microphone circuit, it may result from ground loops or unbalance caused by improper cable connections to the preamplifier terminal board or

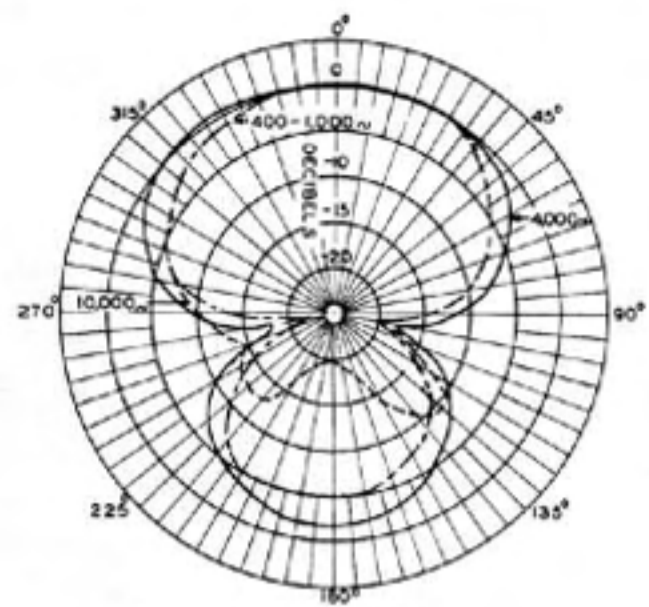
microphone plug. Hum may also be induced into the microphone transformer or ribbon by magnetic fields emanating from power transformers or electrical machinery. In the Type 77-D Microphone the design of the ribbon circuit and the transformer, and the thorough shielding of the transformer have reduced hum pickup from these sources to a minimum. In the event that exceptionally strong fields are encountered, the induced hum may be minimized by turning or tilting the microphone, or changing its location. Turning the frequency response selector to the  $V_1$  or  $V_2$  positions will also reduce the hum together with the overall low-frequency response.

## MAINTENANCE

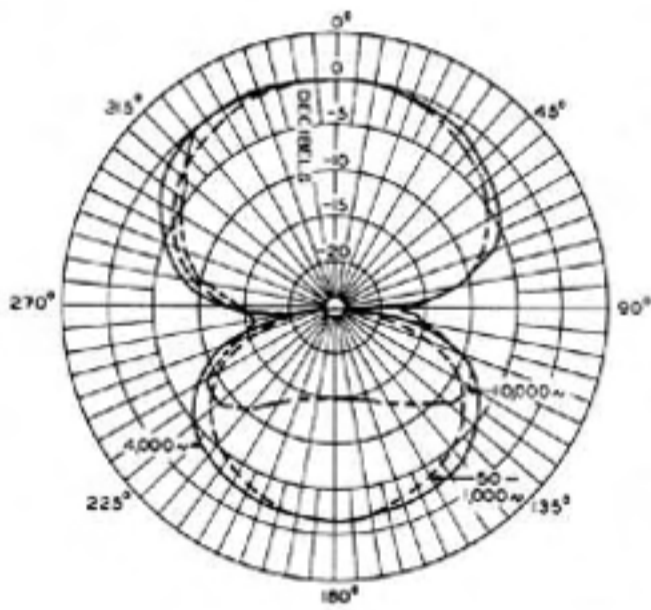
It is recommended that no attempt be made to make repairs other than replacement of screens, transformers, mounting parts and cables. For microphone mechanism repairs, the entire microphone should be returned to the manufacturer. Obtain a *Returned Apparatus and Repair Order* form from your *RCA Field Office Distributor* or write to *RCA Service Company*, Returned Apparatus Control, Camden, New Jersey, or *RCA Microphone Repair Dept.*, 2701 West Willow Street, Burbank, California. Attach the form, properly filled out, to the equipment and send the equipment and the repair order to the manufacturer.



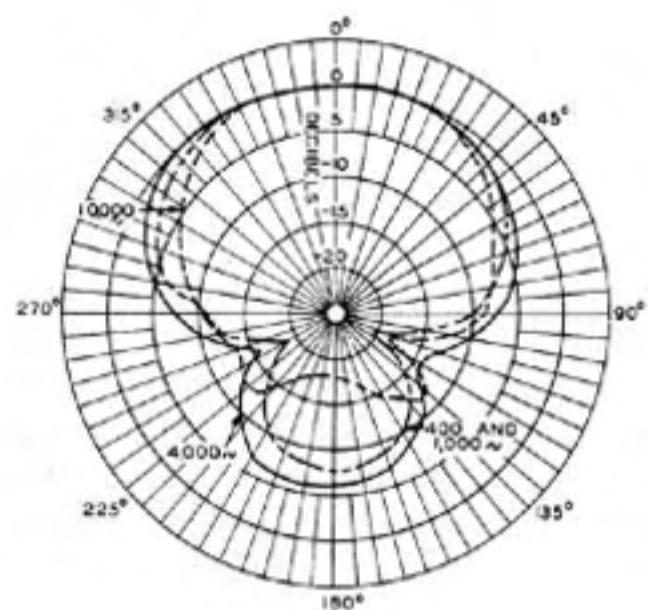
UNI-DIRECTIONAL POSITION



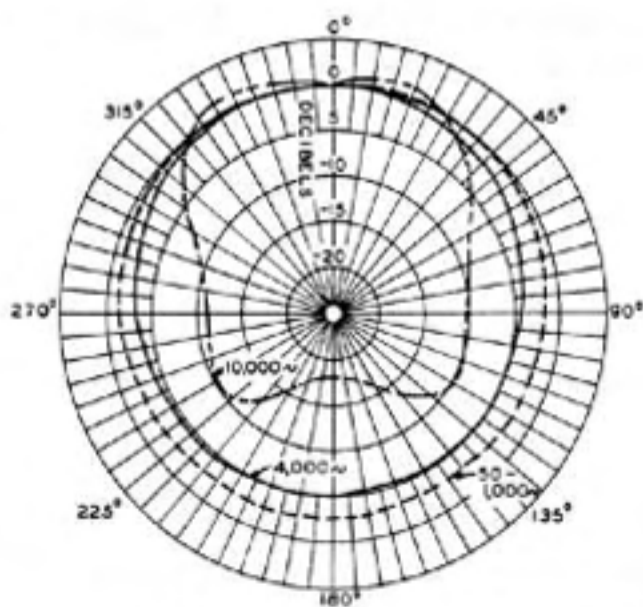
L-1 POSITION



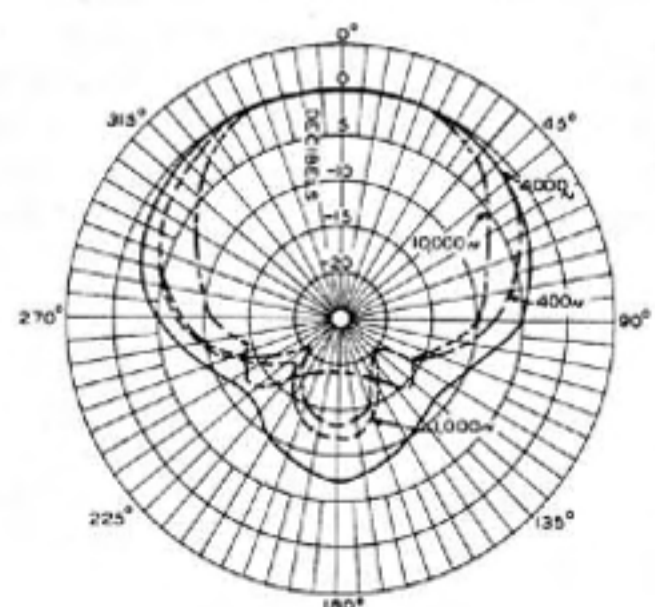
BI-DIRECTIONAL POSITION



L-2 POSITION



NON-DIRECTIONAL POSITION



L-3 POSITION

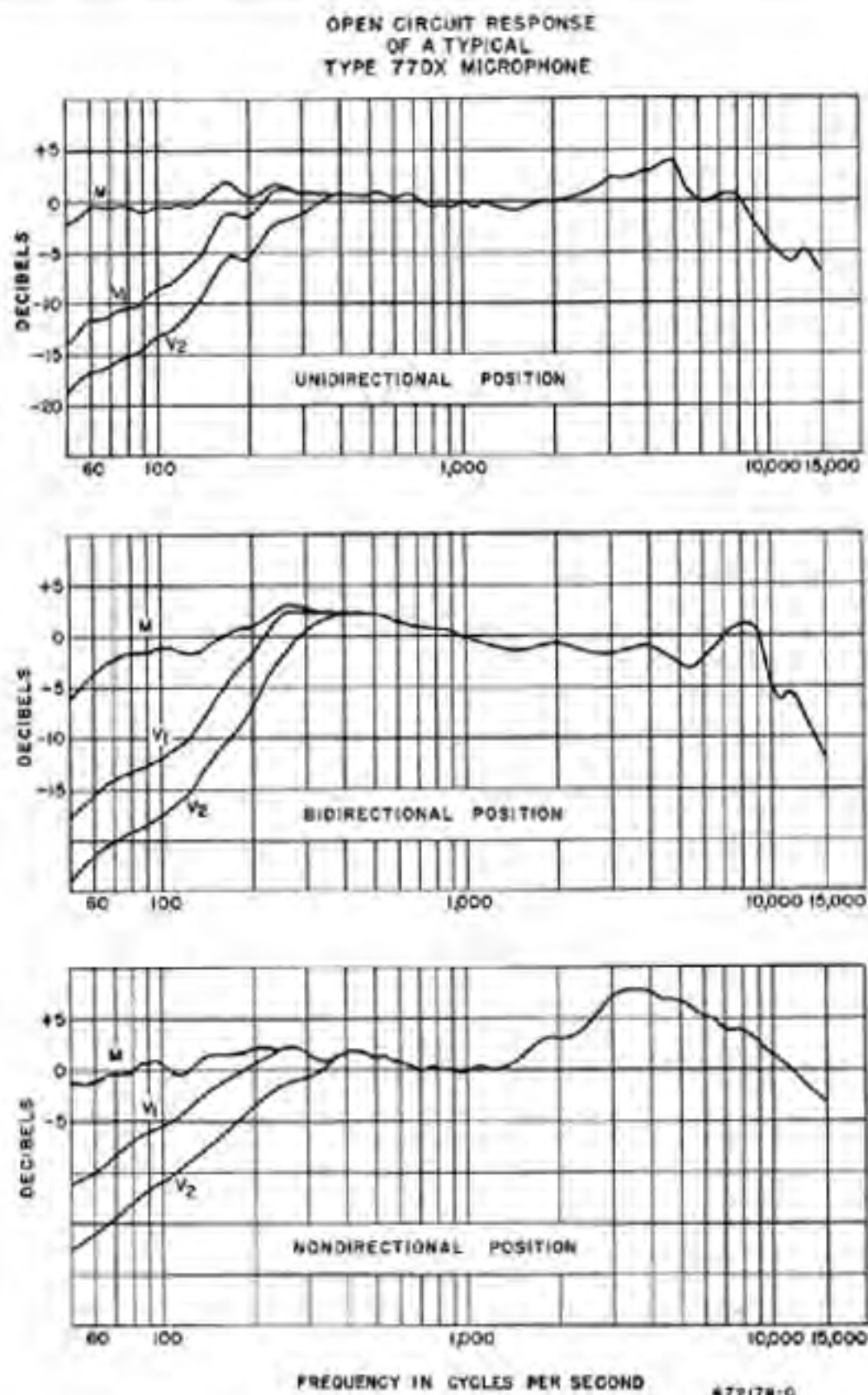
Figure 3—Directional Patterns

**CAUTION:** To prevent permanent damage to the ribbon do not test continuity of the microphone with a circuit checker without connecting a resistor of at least 50,000 ohms in series with the checker. When testing the microphone lines, observe the same precautions or make certain that the microphones are disconnected.

To remove the top screen assembly for replacement, first remove the side thumbscrews and mounting hardware at the top of the microphone fork. Then, unscrew the two machine screws on the side bands near the top, and lift the screen assembly off the microphone.

To remove a transformer, reactor or cable for replacement purposes, first lower the bottom cover as described under *Connections*. Before removing the cable, be sure to loosen the cord guard and cable clamp.

**CAUTION:** Keep the microphone away from iron filings or magnetic dust. Although the screens provide excellent protection, minute iron particles commonly found on work benches and in maintenance shops may be drawn through the screen by the powerful magnet. If allowed to accumulate, these particles may mar the quality of reproduction.



**Figure 4—Frequency Response Curves**

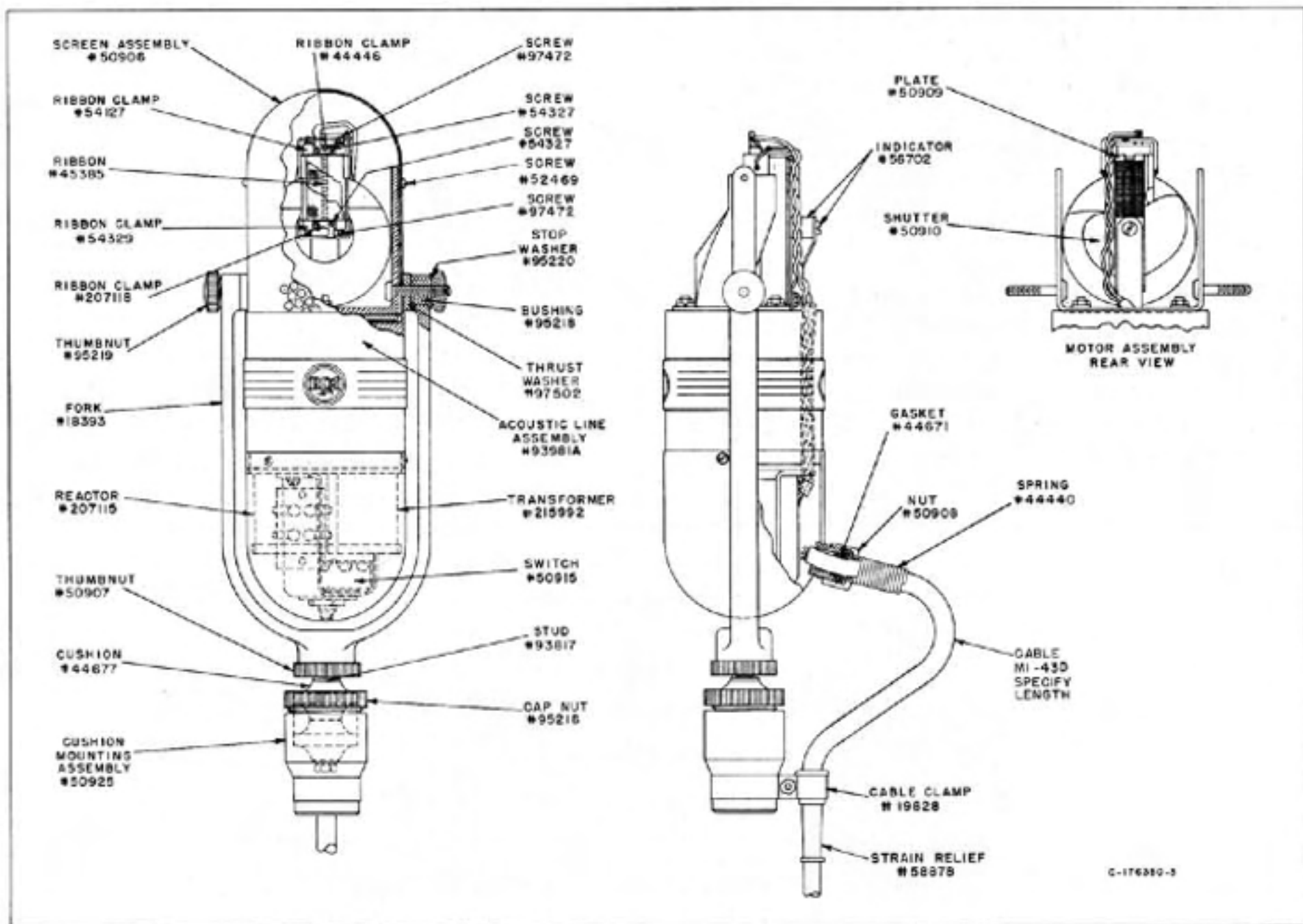


Figure 5—Parts Location Diagram of MI-4045-F

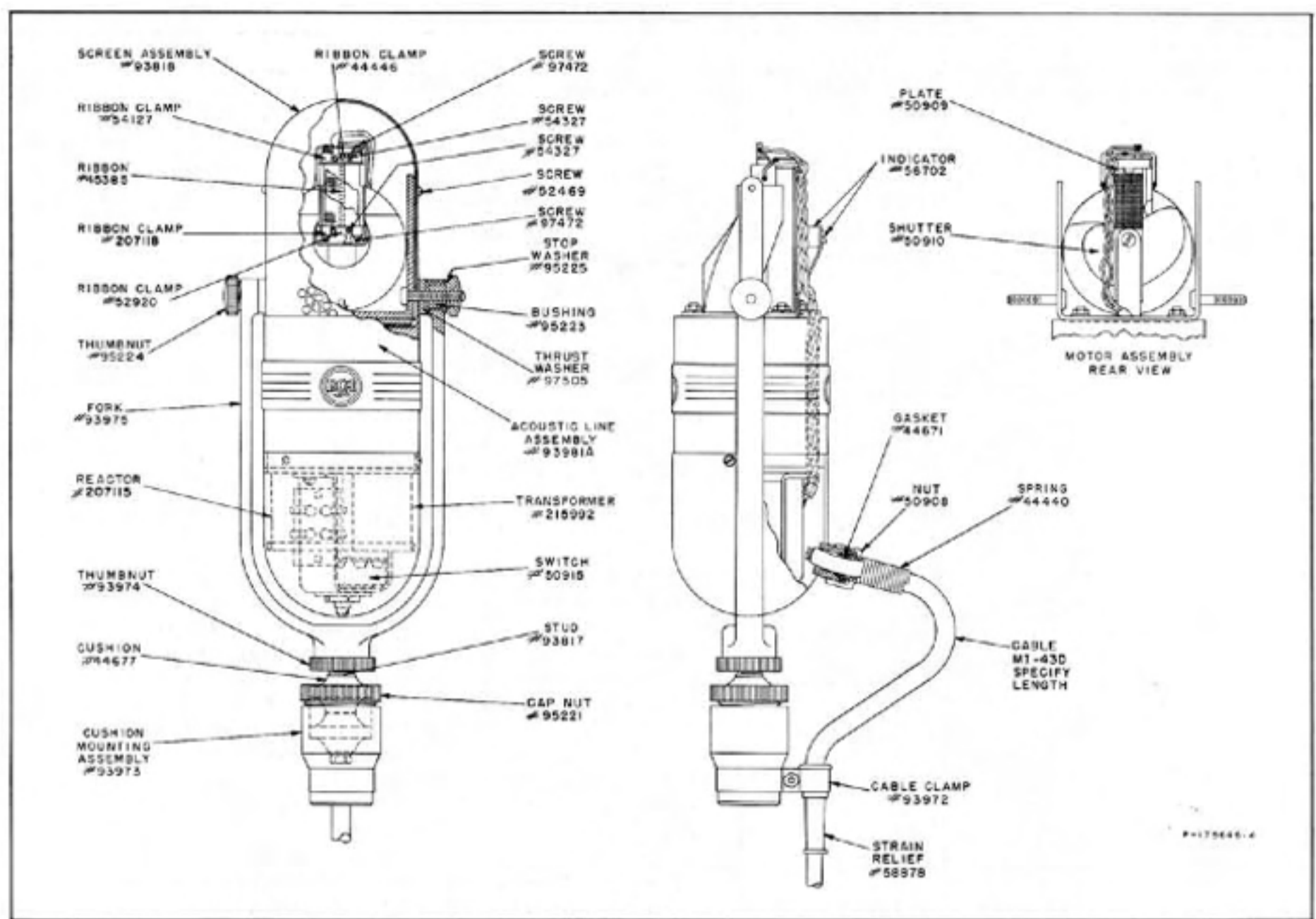
### Replacement Parts

Replacement parts may be ordered from RCA Parts and Accessories Department, P.O. Box 654, Camden, New Jersey. When ordering replacement parts, please give symbol, description and stock number of each item ordered. The part which will be supplied against an order for a replacement item may not be an exact

duplicate of the original part. However, it will be a satisfactory replacement differing only in minor mechanical or electrical characteristics. Such differences will in no way impair the operation of the equipment. Parts with no stock numbers are standard components. They are not stocked by RCA and should be obtained from your local electrical parts distributor.

### LIST OF PARTS

Symbol No.	Stock No.	Drawing No.	Description
<b>POLYDIRECTIONAL MICROPHONE, MI-4045-F</b>			
	93981A 95218	Pt. of 176489-501 858220-5	Acoustic Line Assembly: transformer & switch assy.
	19828	845581-4	Bushing: brass, microphone fork, swivel 0.296" lg. x 0.373 O.D. x 0.261 I.D. with 9/16 dia. x 0.030 thick shoulder
	50925	188180-501	Clamp: cable, incl. bushings, hex nut, and screw
	44677	858223-1	Cushion Mounting Assembly: complete
	18393	417436-2	Cushion: rubber 1" dia. x 9/16" thick with 1/8" dia. hole in center
	44671	841845-3	Fork: microphone fork casting only, with 1/8" pipe threaded hole in base and 1, 3/8" hole in ends of prongs
			Gasket: cable, rubber 7/16" O.D. x 9/32 I.D. x 7/32 thick



**Figure 6—Parts Location Diagram of MI-11006-C**  
**LIST OF PARTS (Continued)**

Symbol No.	Stock No.	Drawing No.	Description
	50907	845554-3	Nut: thumb, 1" dia. x 3/16" thick with 1/8" pipe threaded hole in center fork base locking
	95216	858218-3	Nut: cushion retaining knurled cap nut, with #1-1/8-32 inside thread
	50908	841841-5	Nut: knurled, cable guard spring retaining, 5/8 O.D. x 7/16 lg. with 9/16-18 thread
	95219	8877780-3	Nut: thumb, knurled fork swivel 3/8" O.D. x 7/32 thk. with 1/4-28 tapped hole in center
	205158	46635-1	Plate: designation for polydirectional char., diamond shaped with 1/4" dia. hole in center & 2 mtg. holes .104" dia.
	207115	484397-2	Reactor: iron core, impedance at 50 cps, 0.5 v, 91 ohms +7% -5% D.C. res. 28 ohms, round can
	50906	148488-501	Screen assembly: comprising front and rear screen and band
	52469	57452-403	Screw: washer hd. #2-56 x 3/16" lg. for screen and cover
	44440	841846-13	Spring: cable guard
	58878	8842615-1	Strain relief: black neoprene 2-5/16" lg. with 0.308 dia. hole
	93817	858217-1	Stud: cushion mtg. 2-3/32" lg. with 1/8 pipe thread one end, 1/4"-20 x 3/8 lg. thread other end
	50915	143502-2	Switch: rotary, single circuit, 3 pos. screwdriver slotted shaft, music-voice
	215992	484397-1	Transformer: microphone, tapped for 30,150,250 ohms, output impedance turns ratio 1:23.5 ±2% round can
	97502	8879888-1	Washer: aluminum alloy, fork swivel thrust, 9/16" O.D. x 0.260 I.D. x 0.190 thick

## LIST OF PARTS (Continued)

Symbol No.	Stock No.	Drawing No.	Description
	95220	8877781-1	Washer: stop, microphone fork swivel stop washer, 9/16" O.D. x .0598 thick, with 1/4" x 11/64" elongated hole in center
<b>POLYDIRECTIONAL MICROPHONE, MI-11006-C</b>			
	93981A 95223	Pt. of 176489-502 858220-6	Acoustic Line Assembly: transformer & switch assy. Bushing: brass, microphone fork swivel, 0.296 lg. x 0.373 O.D. x 0.261 I.D. with 9/16" dia. x 0.030 thick shoulder
	93972	845581-5	Clamp: cable clamp including bushing and hardware
	93973	188180-502	Cushion Mounting Assembly: complete
	44677	858223-1	Cushion: rubber, 1" dia. x 9/16 thick with 1/4" dia. hole in center
	93975	417436-3	Fork: microphone fork casting only, with 1/8" pipe threaded hole in base and 1, 3/8" hole in ends of prongs
	44671	841845-3	Gasket: cable, rubber, 7/16" O.D. x 9/32 I.D. x 7/32" thick
	95221	858218-4	Nut: cushion retaining knurled cap nut, with #1-1/8-32 inside thread
	93974	845554-4	Nut: thumb, 1" dia. x 3/16" thick, with 1/8" pipe threaded hole in center. fork base locking
	95224	8877780-4	Nut: thumb, knurled fork swivel, 3/4" O.D. x 7/32" thk. with #1/4-28 tapped hole in center
	50908	841841-5	Nut: knurled, cable guard spring retaining, 5/8 O.D. x 7/16" lg. with 9/16-18 thread
	205159	46635-2	Plate: designation, for polydirectional char., diamond shaped with 1/4" dia. hole in center, and 2 mtg. holes .104" dia.
	207115	484397-2	Reactor: iron core, impedance at 50 cps 0.5 v, 91 ohms +7% -5% D.C. res. 28 ohms round can
	93818	148488-503	Screen Assembly: comprising front & rear screen and band
	52469	57452-253	Screw: for screen & cover 2-56 x 3/16" lg.
	44440	841846-13	Spring: cable guard
	58878	8842615-1	Strain relief: neoprene black, 2-5/16" lg. with 0.308 dia. hole
	93817	858217-3	Stud: cushion mtg. 2-3/32" lg. with 1/8 pipe thread one end, 1/4-20 x 3/8 lg. thread other end
	50915	143502-2	Switch: rotary, single circuit, 3 pos. screwdriver slotted shaft, music-voice
	215992	484397-1	Transformer: microphone, tapped for 30,150,250 ohms output impedance turns ratio 1:23.5 ±2% round can
	97505	8879888-2	Washer: aluminum alloy, fork swivel thrust, 9/16" O.D. x 0.260 I.D., 0.190 thick
	95225	8877781-2	Washer: stop, microphone fork swivel stop washer, 9/16" O.D. x .0598 thick with 1/4 x 11/64" elongated hole in center
<b>MOTOR ASSEMBLY (MI-4045-F AND MI-11006-C)</b>			
	54127	8854649-1	Clamp: ribbon, top large
	207118	8819395-1	Clamp: ribbon, bottom large
	44446	845282-2	Clamp: ribbon, top small
	52920	845282-3	Clamp: ribbon, bottom small
	56702	147298-1	Indicator: shutter position, indicator and adjuster
	50909	188317-1	Plate: shutter pressure, .012 thick phos. bronze, 2-1/16" lg. x 7/16" wide
	45385	858297-1	Ribbon: microphone, corrugated aluminum foil, 2" lg. x .054 wide
	97472	8835319-60	Screw: fil. hd. #1-72 x 5/16 lg. large ribbon clamp
	54327	8835320-54	Screw: fil. hd. #0-80 x 1/8 lg. small ribbon clamp
	50910	188309-1	Shutter: acoustic tube, .005 thick phos. bronze, cam shaped

**RADIO CORPORATION OF AMERICA**  
**BROADCAST AND COMMUNICATIONS PRODUCTS, CAMDEN, N. J.**